



More Precision

wireSENSOR // Draw-wire displacement sensors



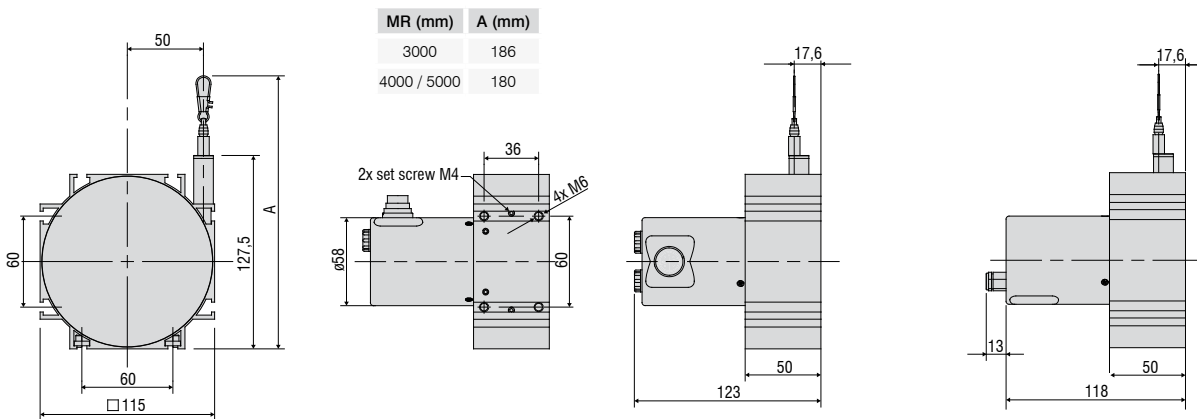


- Robust aluminum profile housing
- Customized versions for OEM
- Potentiometer, current and voltage output

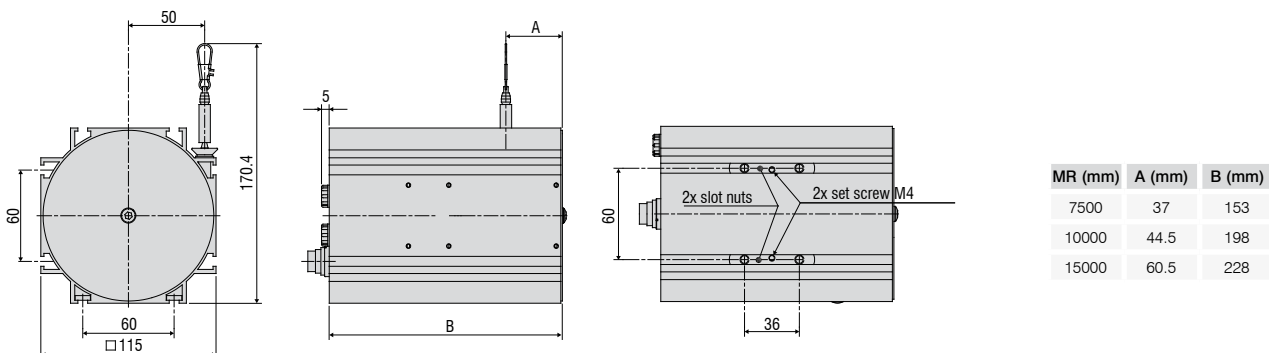
Model P115 (Measuring range 3000/4000/5000mm)

Output U/I

Output P



Model P115 (Measuring range 7500/10000/15000mm)



Model		WDS-3000-P115	WDS-4000-P115	WDS-5000-P115	WDS-7500-P115	WDS-10000-P115	WDS-15000-P115
Measuring range		3000mm	4000mm	5000mm	7500mm	10000mm	15000mm
Output		P, U, I					
Linearity	±0.1% FSO	±3mm	-	-	-	-	-
	±0.15% FSO	-	±6mm	±7.5mm	±11.3mm	±15mm	±22.5mm
Resolution		towards infinity					
Sensor element		hybrid potentiometer					
Temperature range		-20 °C ... +80 °C					
Material	housing	aluminum					
	draw-wire	coated polyamide stainless steel (ø 0.45mm)			coated polyamide stainless steel (ø 1.0mm)		
Sensor mounting		slot nut					
Wire mounting		wire clip					
Wire acceleration		approx. 6g					
Wire retraction force (min)		4.5N	4N	4N	8N	8N	8N
Wire extension force (max)		8N	8.5N	9N	24N	21N	25N
Protection class		IP65 (only if connected)					
Vibration		20g, 20Hz - 2kHz					
Mechanical shock		50g, 20ms					
Electrical connection	P	integrated cable, axial, 1m					
	U, I	flange connector, radial, 8-pin, DIN45326					
Weight		approx. 1.1kg			2.2kg	3.2kg	3.5kg

FSO = Full Scale Output

Specifications for analog outputs on page 51.

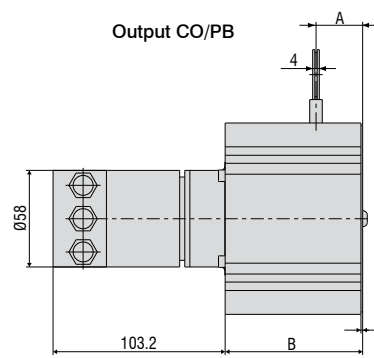
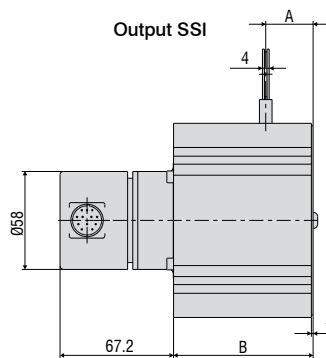
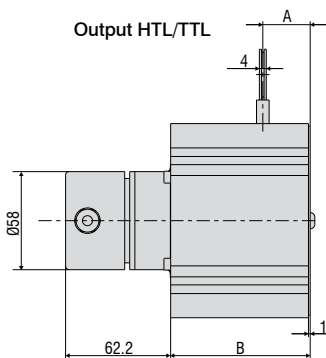
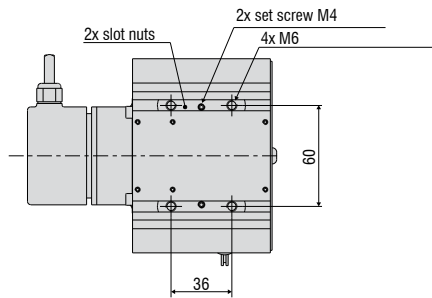
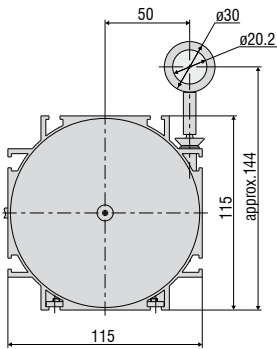
Article description

WDS -	3000 -	P115 -	CA -	P
				P: potentiometer U: voltage I: current
				connection CA: P115-3000/4000/5000 connection SA: P115-7500/10000/15000 connection SR: P115-3000/4000/5000 connection SA: P115-7500/10000/15000 connection SR: P115-3000/4000/5000 connection SA: P115-7500/10000/15000
				Connection: SR: radial plug SA: axial plug CA: integrated cable, axial, 1m
				Model P115
				Measuring range in mm



- Robust aluminum profile housing
- Customized versions for OEM
- Incremental/absolute encoder

Model P115



MR (mm)	A (mm)	B (mm)
5000	28	82.5
7500	37	105.5
10000	44.5	148.5
15000	61	180.5

Model	WDS-5000-P115	WDS-7500-P115	WDS-10000-P115	WDS-15000-P115
Measuring range	5000mm	7500mm	10000mm	15000mm
Output	HTL, TTL, SSI, PB, CO			
Linearity	±0.01% FSO	-	-	±1mm
	±0.02% FSO	±1mm	±1.5mm	-
Resolution	HTL, TTL	0.105mm (9.52 pulses/mm)		
	SSI, PB, CO	0.038mm		
Sensor element	incremental/absolute encoder			
Temperature range	-20 °C ... +80 °C			
Material	housing	aluminum		
	draw-wire	coated polyamide stainless steel (ø 1.0mm)		
Sensor mounting	slot nuts			
Wire mounting	eyelet			
Wire acceleration	5g	6g	3g	3g
Wire retraction force (min)	4N	8N	8N	8N
Wire extension force (max)	16N	24N	21N	25N
Protection class	IP65 (only if connected)			
Vibration	20g, 20Hz - 2kHz			
Mechanical shock	50g, 10ms			
Electrical connection	HTL, TTL	integrated cable, radial, 1m		
	SSI	flange connector, radial, 12-pin		
	PB, CO	bus cover		
Weight	approx. 2kg	approx. 2.5kg	approx. 3.5kg	approx. 4.5kg

FSO = Full Scale Output

Specifications for digital outputs on page 52.

Article description

WDS -	5000 -	P115 -	CR -	TTL
				Output option: HTL TTL CO: CANopen PB: Profibus DP SSI
				Connection: SR (Output SSI): radial plug CR (Output HTL, TTL): integrated cable, radial, 1m BH (Output CO, PB): bus cover
				Model P115
				Measuring range in mm

Accessories:

WE-xxx-M4	Wire extension with M4-wire connection, x=length
WE-xxx-Clip	Wire extension with eyelet, x=length
TR1-WDS	Pulley wheel, adjustable
TR3-WDS	Pulley wheel, fixed
GK1-WDS	Attachment head for M4
MH1-WDS	Magnetic holder for wire mounting
MH2-WDS	Magnetic holder for sensor mounting
MT-60-WDS	Mounting clamp for WDS-P60
FC8	Female connector for WDS, 8-pin
FC8/90	Female connector 90° for WDS
PC 3/8-WDS	Sensor cable, length 3m
PS 2020	(Power Supply 24 V / 2,5 A, Input 100 - 240 VAC, output 24 VDC / 2.5 A, for snap in mounting on DIN 50022 rail)
WDS-MP60	Mounting plate for P60 sensors



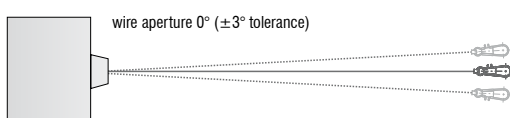
Mounting plate WDS-MP60

Installation information:

Wire attachment: The free return of the measurement wire is not permissible and it is essential that this is avoided during installation.

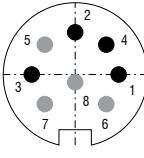
Wire exit angle:

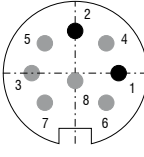
When mounting a draw-wire displacement sensor, a straight wire exit ($\pm 3^\circ$ tolerance) must be taken into account. If this tolerance is exceeded, increased material wear on the wire and at the wire aperture must be expected.



Output	Plug M16 -SA / -SR	Integrated cable -CA / -CR	Open contacts
--------	-----------------------	-------------------------------	---------------

Potentiometric output (P)				
Supply voltage	max. 32VDC at 1kOhm / 1 Wmax	 <p>sensor side</p>	<p>1 = input + 2 = grounding 3 = signal</p>	<p>white = input + brown = grounding green = signal</p>
Resistance	1kOhm ±10% (potentiometer)			
Temperature coefficient	±0.0025% FSO/°C			
				 <p>1 = input + 2 = signal 3 = grounding</p>

Voltage output (U)				
Supply voltage	14 ... 27VDC (non stabilized)	 <p>sensor side</p>	<p>1 = supply 2 = grounding 3 = signal 4 = ground</p>	<p>white = supply brown = grounding green = signal yellow = ground</p>
Current consumption	max. 30mA			
Output voltage	0 ... 10VDC Option 0 ... 5 / ±5V			
Load impedance	>5kOhm			
Signal noise	0.5mV _{eff}			
Temperature coefficient	±0.005% FSO/°C			
Electromagnetic compatibility (EMC)	EN 61000-6-4 EN 61000-6-2			
Adjustment ranges (if supported by the model)				
Zero	±20% FSO			
Sensitivity	±20%			

Current Output (I)				
Supply voltage	14 ... 27VDC (non stabilized)	 <p>sensor side</p>	<p>1 = supply 2 = grounding</p>	<p>white = supply brown = grounding</p>
Current consumption	max. 35mA			
Output current	4 ... 20mA			
Load	<600Ohm			
Signal noise	<1,6 μA _{eff}			
Temperature coefficient	±0.01% FSO/°C			
Electromagnetic compatibility (EMC)	EN 61000-6-4 EN 61000-6-2			
Adjustment range (if supported by the model)				
Zero	±18% FSO			
Sensitivity	±15%			

Contact description

1 UB	Encoder power supply connection
2 GND	Encoder ground connection. The voltage drawn to GND is UB.
3 Pulses +	Positive SSI pulse input. Pulse + forms a current loop with pulse -. A current of approx. 7 mA in direction of pulse + input generates a logical 1 in positive logic.
4 Data +	Positive, serial data output of the differential line driver. A High level at the output corresponds to logical 1 in positive logic.
5 ZERO	Zero setting input for setting a zero point at any desired point within the entire resolution. The zeroing process is triggered by a High pulse (pulse duration ≥ 100 ms) and must take place after the rotating direction selection (UP/DOWN). For maximum interference immunity, the input must be connected to GND after zeroing.
6 Data -	Negative, serial data output of the differential line driver. A High level at the output corresponds to logical 0 in positive logic.
7 Pulses -	Negative SSI pulse input. Pulse - forms a current loop with pulse +. A current of approx. 7 mA in direction of pulse - input generates a logical 0 in positive logic.
8 / 10 <u>DATAVALID</u> <u>DATAVALID MT</u>	Diagnosis outputs DV and DV MT Jumps in data word, e.g. due to defective LED or photoreceiver, are displayed via the DV output. In addition, the power supply of the multiturn sensor unit is monitored and the DV MT output is set when a specified voltage level is dropped below. Both outputs are Low-active, i.e. are switched through to GND in the case of an error.
9 UP/DOWN	UP/DOWN counting direction input. When not connected, this input is on High. UP/ DOWN-High means increasing output data with a clockwise shaft rotating direction when looking at the flange. UP/ DOWN-Low means increasing values with a counter-clockwise shaft rotating direction when looking at the flange.
11 / 12	Not in use

Pin assignment

Pin	Cable color	Assignment
1	brown	UB
2	black	GND
3	blue	Pulses +
4	beige	Data +
5	green	ZERO
6	yellow	Data -
7	violet	Pulses -
8	brown/yellow	<u>DATAVALID</u>
9	pink	UP/ DOWN
10	black/yellow	<u>DATAVALID</u> <u>MT</u>
11	-	-
12	-	-



Please use leads twisted in pairs for extension cables.

Inputs

Control signals UP/DOWN and Zero

Level High > 0.7 UB

Level Low < 0.3 UB

Connection: UP/DOWN input with 10kohms to UB, zeroing input with 10kohms to GND.

SSI pulse

Optocoupler inputs for electrical isolation

Outputs

SSI data RS485 driver

Diagnostic outputs

Push-pull outputs are short-circuit-proof

Level High > UB -3.5V (with I = -20mA)

Level Low $\leq 0.5V$ (with I = 20mA)

CANopen features	
Bus protocol	CANopen
Device profile	CANopen - CiA DSP 406, V 3.0
CANopen Features	Device Class 2, CAN 2.0B
Operating modes (with SDO progr.)	<p>Polling Mode (asynch, via SDO)</p> <p>Cyclic Mode (asynch-cyclic) The encoder cyclically sends the current process actual value without a request by a master. The cycle time can be parameterized for values between 1 and 65535 ms.</p> <p>Synch Mode (synch-cyclic) The encoder sends the current actual process value after receiving a synch telegram sent by a master. The synch counter in the encoder can be parameterized so that the position value is not sent until after a defined number of synch telegrams.</p> <p>Acyclic Mode (synch-acyclic)</p>
Preset value	With the "Preset" parameter the encoder can be set to a desired actual process value that corresponds to the defined axis position of the system. The offset value between the encoder zero point and the mechanical zero point of the system is saved in the encoder.
Rotating direction	With the operating parameter the rotating direction in which the output code is to increase or decrease can be parameterized. Scaling The steps per revolution and the total revolution can be parameterized.
Scaling	The steps per revolution and the total revolution can be parameterized.
Diagnose	The encoder supports the following error messages: - Position and parameter error - Lithium cell voltage at lower limit (Multiturn)
Default setting	50kbit/s, node number 1

Baud rate	Setting Dip Switch		
	1	2	3
10kBit/s	OFF	OFF	OFF
20kBit/s	OFF	OFF	ON
50kBit/s	OFF	ON	OFF
125kBit/s	OFF	ON	ON
250kBit/s	ON	OFF	OFF
500kBit/s	ON	OFF	ON
800kBit/s	ON	ON	OFF
1MBit/s	ON	ON	ON

Contact description CANopen	
CAN_L	CAN Bus Signal (dominant Low)
CAN_H	CAN Bus Signal (dominant High)
UB	Supply voltage 10...30VDC
GND	Ground contact for UB
(Terminals with the same designation are internally interconnected)	

Settings of user address for CANopen
 Address can be set with rotary switch. Example: User address 23



Profibus-DP features

Bus protocol	Profibus-DP
Profibus features	Device Class 1 and 2
Data exch. functions	Input: Position value Additional parameterized speed signal (readout of the current rotary speed) Output: Preset value
Preset value	With the "Preset" parameter the encoder can be set to a desired actual value that corresponds to the defined axis position of the system.
Parameter functions	Rotating direction: With the operating parameter the rotating direction for which the output code is to increase or decrease can be parameterized.
Diagnose	The encoder supports the following error messages: - Position error - Lithium cell voltage at lower limit (Multiturn)
Default setting	User address 00

**Settings of user address for Profibus-DP**

Settings of user address for Profibus-DP

**Contact description Profibus-DP**

A Negative serial data line

B Positive serial data line

UB Supply voltage 10...30VDC

GND Ground contact for UB

(Terminals with the same designation are internally interconnected)

Signal output



Output TTL	Linedriver (5 VDC)	
Level High	$\geq 2.5V$	(with I = -20mA)
Pegel Low	$\leq 0.5V$	(with I = 20mA)
Load High	$\leq 20mA$	
Output	A, \bar{A} , B, \bar{B} , 0	

Output TTL01/TTL02	NPN (5 VDC $\pm 5\%$)	
Level High	$> 4.5V$	
Level Low	$< 1.0V$	
Load High	$\leq 3mA$	
Output (TTL01)	A, B, 0	
Output (TTL02)	A, \bar{A} , B, \bar{B} , 0	

Output HTL	Push-pull (10 ... 30 VDC)	
Level High	$\geq UB - 3V$	(with I = -20mA)
Level Low	$\leq 1.5V$	(with I = 20mA)
Load High	$\leq 40mA$	
Output	A, \bar{A} , B, \bar{B} , 0	

Output E	Push-pull ((5 VDC)	
Level High	$\geq UB - 2.5V$	
Level Low	$\leq 0.5V$	
Load High	$\leq 50mA$	
Output	A, B, 0	

Output E830	Push-pull ((8 ... 30 VDC)	
Level High	$\geq UB - 3V$	
Level Low	$\leq 2.5V$	
Load High	$\leq 50mA$	
Output	A, B, 0	

Pin assignment TTL, HTL

Pin	Cable color	Assignment
Pin 1	pink	B inv.
Pin 2	blue	UB Sense
Pin 3	red	N (zero impulse)
Pin 4	black	N inv. (zero impulse inv.)
Pin 5	brown	A
Pin 6	green	A inv.
Pin 7	-	-
Pin 8	gray	B
Pin 9	-	-
Pin 10	white/green	GND
Pin 11	white	GND Sense
Pin 12	brown/green	UB



Pin 2 and Pin 12 are internally connected as well as Pin 11 and 10. For cable length >10m twisted pair wires are required.

Connection assignment E, E830

Cable color	Assignment
white	0V
brown	+UB
green	A
-	\bar{A}
yellow	B
-	\bar{B}
gray	0

Connection assignment TTL01

Cable color	Assignment
brown	0V
gray	+UB
white	A
green	B
yellow	0

Connection assignment TTL02

Cable color	Assignment
red	+UB
black	0V
brown	A
black	\bar{A}
orange	B
black	\bar{B}
yellow	0
black	n.c.

High performance sensors made by Micro-Epsilon



Sensors and systems for displacement and position



Sensors and measurement devices for non-contact temperature measurement



2D/3D profile sensors (laser scanner)



Optical micrometers, fiber optic sensors and fiber optics



Color recognition sensors, LED analysers and color inline spectrometer



Measurement and inspection systems