



More Precision

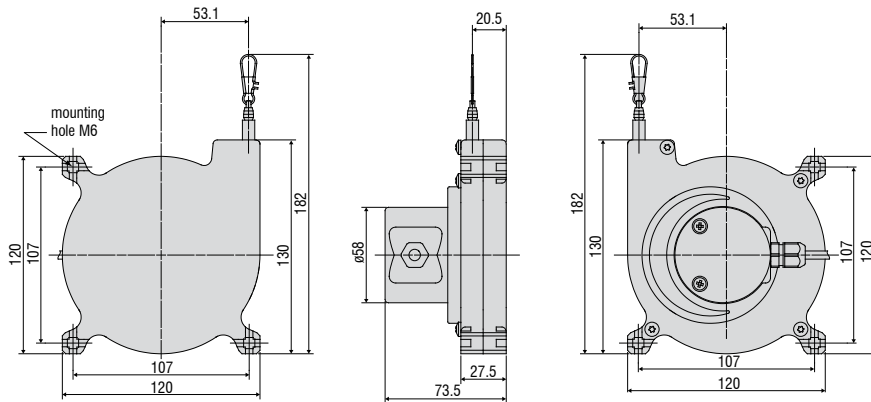
wireSENSOR // Draw-wire displacement sensors



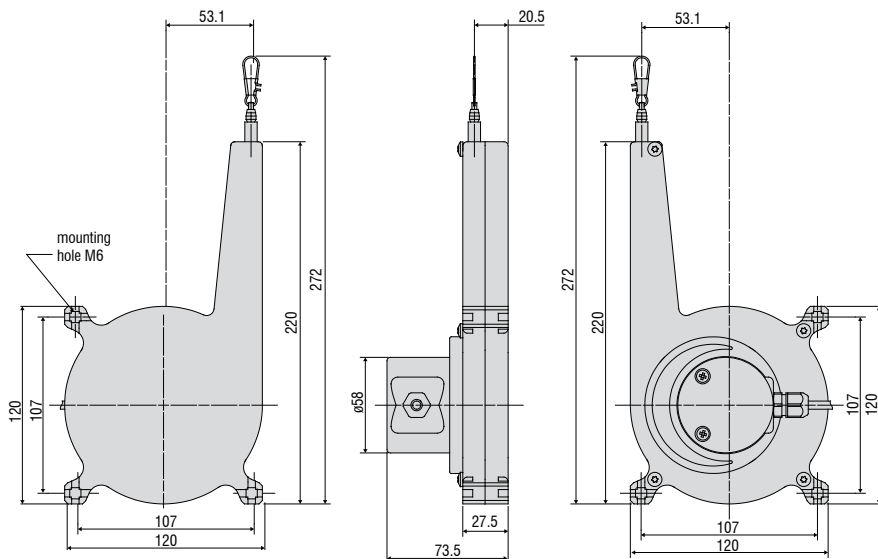


- Robust plastic housing
- Customized versions for OEM
- Potentiometer, current and voltage output

Model MK120 (Measuring range 3000, 5000mm)



Model MK120 (Measuring range 7500mm)



Model	WPS-3000-MK120	WPS-5000-MK120	WPS-7500-MK120
Output	P, U, I		
Measuring range	3000mm	5000mm	7500mm
Linearity	<0.15% FSO	<4.5mm	<7.5mm
Resolution	quasi infinite		
Temperature range	-20 to 80°C		
Material	housing	plastic PA6	
	draw wire	coated polamide stainless steel (ø 0.45mm)	
Wire mounting	wire clip		
Wire acceleration		2.5g	1.5g
Wire retraction force (min)	5.5N	5N	7N
Wire extension force (max)		8N	13N
Electrical connection	integrated cable, radial, 1m		
Protection class	IP 65		
Weight		0.75kg	0.9kg

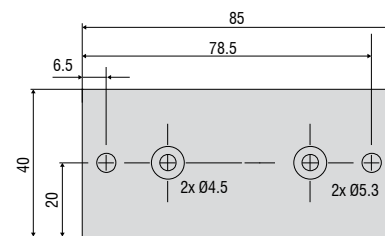
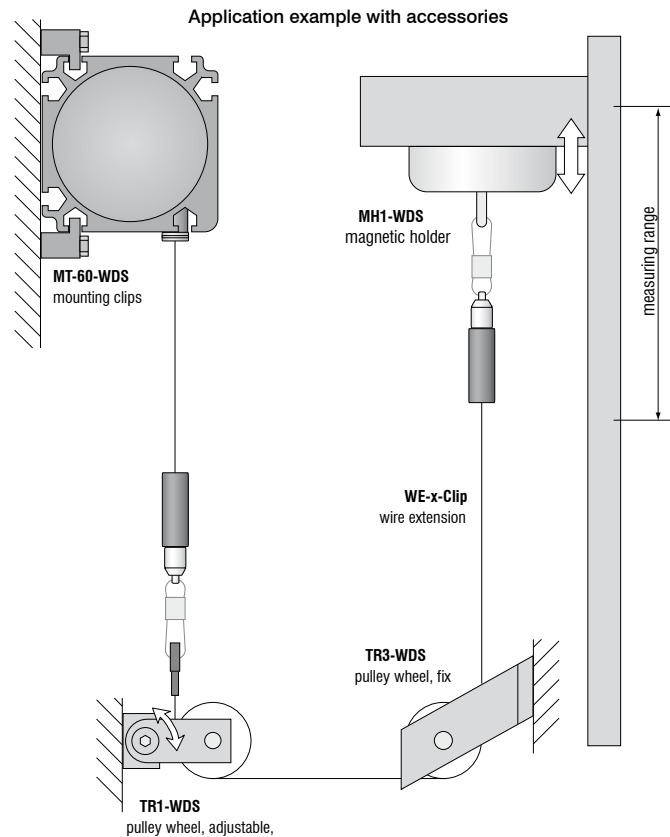
FSO = Full Scale Output
 Specifications for analog outputs on page 51.

Article description

WPS -	3000 -	MK120 -	CR -	P
				Output option: P: potentiometer U: voltage I: current
				Connection CR: integrated cable, radial, 1m
				Model MK120
				Measuring range in mm

Accessories:

WE-xxx-M4	Wire extension with M4-wire connection, x=length
WE-xxx-Clip	Wire extension with eyelet, x=length
TR1-WDS	Pulley wheel, adjustable
TR3-WDS	Pulley wheel, fixed
GK1-WDS	Attachment head for M4
MH1-WDS	Magnetic holder for wire mounting
MH2-WDS	Magnetic holder for sensor mounting
MT-60-WDS	Mounting clamp for WDS-P60
FC8	Female connector for WDS, 8-pin
FC8/90	Female connector 90° for WDS
PC 3/8-WDS	Sensor cable, length 3m
PS 2020	(Power Supply 24 V / 2,5 A, Input 100 - 240 VAC, output 24 VDC / 2.5 A, for snap in mounting on DIN 50022 rail)
WDS-MP60	Mounting plate for P60 sensors



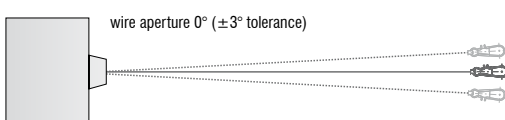
Mounting plate WDS-MP60

Installation information:

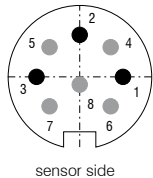
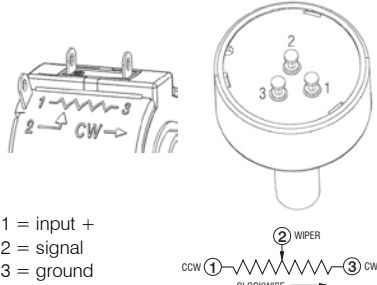
Wire attachment: The free return of the measurement wire is not permissible and it is essential that this is avoided during installation.

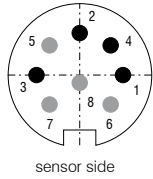
Wire exit angle:

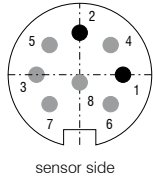
When mounting a draw-wire displacement sensor, a straight wire exit ($\pm 3^\circ$ tolerance) must be taken into account. If this tolerance is exceeded, increased material wear on the wire and at the wire aperture must be expected.



Output	Plug M16 -SA / -SR	Integrated cable -CA / -CR	Open contacts
--------	-----------------------	-------------------------------	---------------

Potentiometric output (P)				
Supply voltage	max. 32VDC at 1kOhm / 1 Wmax	 <p>sensor side</p> <p>1 = input + 2 = ground 3 = signal</p>	<p>white = input + brown = ground green = signal</p>	 <p>1 = input + 2 = signal 3 = ground</p>
Resistance	1kOhm ± 10% (potentiometer)			
Temperature coefficient	±0.0025% FSO/°C			

Voltage output (U)				
Supply voltage	14 ... 27VDC (non stabilised)	 <p>sensor side</p> <p>1 = supply 2 = ground 3 = signal 4 = ground</p>	<p>white = supply brown = ground green = signal yellow = ground</p>	
Current consumption	max. 30mA			
Output voltage	0 ... 10VDC Option 0 ... 5 / ±5V			
Load impedance	>5kOhm			
Signal noise	0.5mV _{eff}			
Temperature coefficient	±0.005% FSO/°C			
Electromagnetic compatibility (EMC)	EN 61000-6-4 EN 61000-6-2			
Adjustment ranges (if supported by the model)				
Zero	±20% FSO			
Sensitivity	±20%			

Current Output (I)				
Supply voltage	14 ... 27VDC (non stabilised)	 <p>sensor side</p> <p>1 = supply 2 = ground</p>	<p>white = supply brown = ground</p>	
Current consumption	max. 35mA			
Output current	4 ... 20mA			
Load	<600Ohm			
Signal noise	<1,6 μA _{eff}			
Temperature coefficient	±0.01% FSO/°C			
Electromagnetic compatibility (EMC)	EN 61000-6-4 EN 61000-6-2			
Adjustment range (if supported by the model)				
Zero	±18% FSO			
Sensitivity	±15%			

High performance sensors made by Micro-Epsilon



Sensors and systems for displacement and position



Sensors and measurement devices for non-contact temperature measurement



2D/3D profile sensors (laser scanner)



Optical micrometers, fibre optic sensors and fibre optics



Color recognition sensors, LED analyzers and color inline spectrometer



Measurement and inspection systems