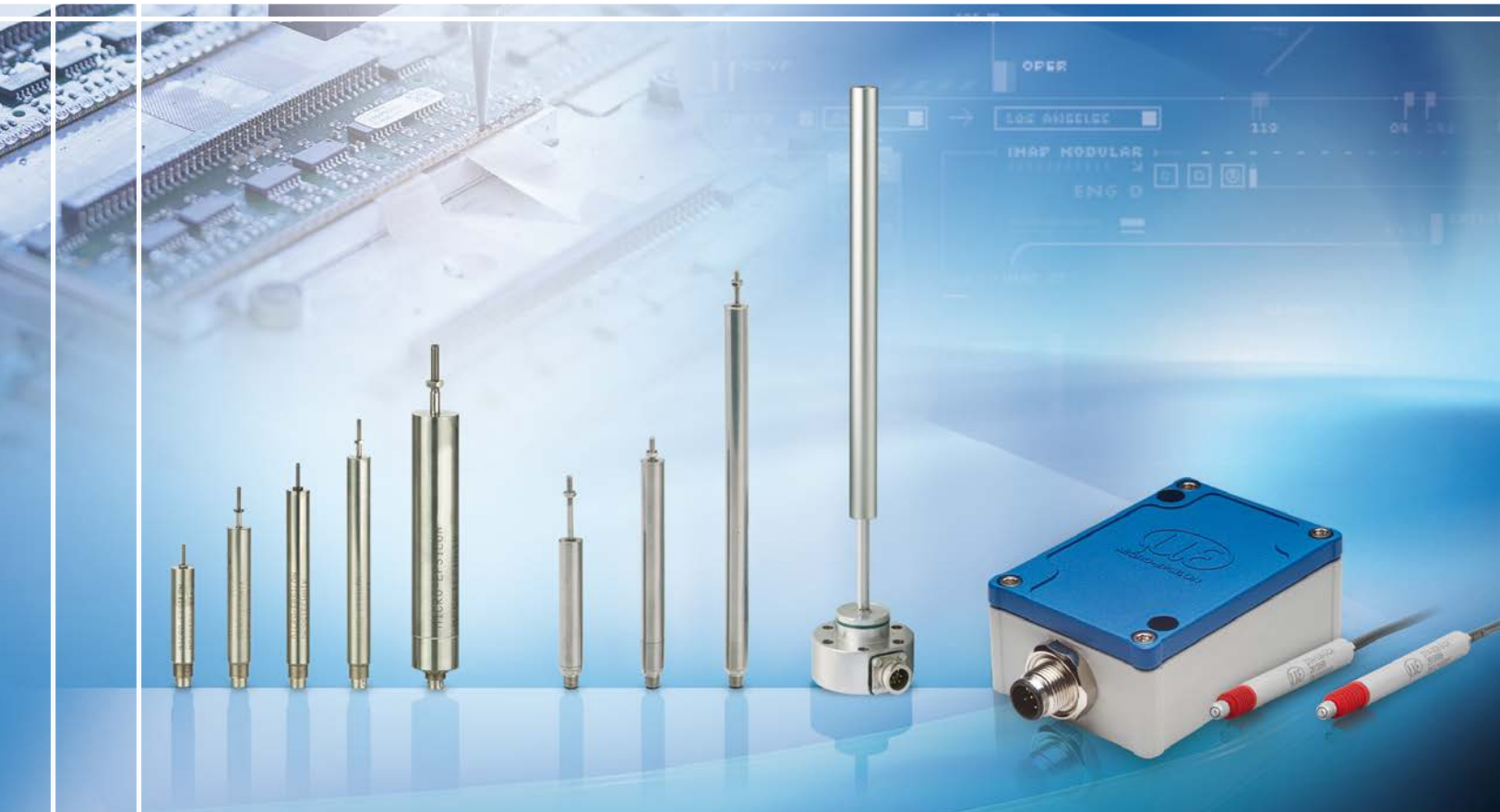




More Precision

induSENSOR // Linear inductive displacement sensors





- *Measuring ranges from 75 ... 630 mm*
- *Linearity: ± 0.3 % FSO*
- *Integrated microelectronics*
- *Robust design: pressure-resistant, oil-resistant and maintenance-free*
- *Short offset ranges*

The sensor elements of the EDS series are protected by a pressure resistant stainless steel housing. The sensor electronics and signal conditioning are completely integrated in a sensor flange.

As a target an aluminum tube is used which is integrated into the piston rod and is passed over the sensor rod in a non-contact, wear-free manner.

Due to the eddy current principle applied, no permanent magnets need to be mounted inside the cylinder.

Its robust design make the EDS long-stroke sensor ideal for the integration into hydraulic and pneumatic cylinders, especially under harsh industrial conditions.

Typical applications

Long-stroke EDS sensors are designed for industrial use in hydraulic and pneumatic cylinders for the displacement and position measurement of pistons or valves, e.g. for the measurement of

- displacement, distance, position, gap
- deflection
- movement, stroke
- filling level, immersion depth and spring travel

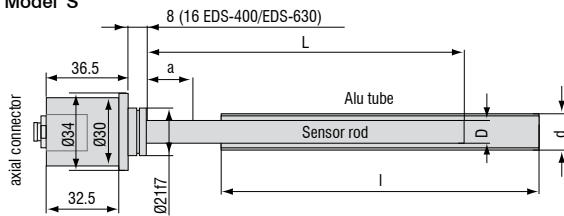


EDS series: integration in a hydraulic cylinder

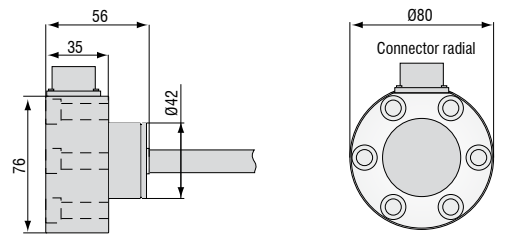
Model	EDS-75	EDS-100	EDS-160	EDS-200	EDS-250	EDS-300	EDS-400	EDS-500	EDS-630	
Series	S	S, F	S, F	S	S, F	S, F	S, F	S	S, F	
Measuring range	75 mm	100 mm	160 mm	200 mm	250 mm	300 mm	400 mm	500 mm	630 mm	
Linearity	± 0.3 % FSO	0.23 mm	0.3 mm	0.48 mm	0.6 mm	0.75 mm	0.9 mm	1.2 mm	1.5 mm	1.89 mm
Resolution	0.05 % FSO	0.038 mm	0.05 mm	0.08 mm	0.1 mm	0.125 mm	0.15 mm	0.2 mm	0.25 mm	0.315 mm
Temperature range	-40 ... +85 °C									
Temperature stability	± 200 ppm / °C									
Frequency response (-3 dB)	150 Hz									
Output signal	4 ... 20 mA									
Output load	500 Ω									
Supply voltage	18 ... 30 VDC									
Current consumption	max. 40mA									
Connection	S Series	7-pin connector (sensor cable as an option) with either radial or axial output								
	F series	5-pin radial bayonet-connector with mating plug								
Pressure resistance	450 bar (sensor rod, flange)									
Protection class	IP67									
Electromagnetic compatibility (EMC)	DIN EN 61326-1:2006 interference emission DIN EN 61326-2-3:2007 interference immunity									
Shock ¹⁾	40 g, 3000 shocks / axis 100 g radial, 300 g axial									
Vibration	5 ... 44 Hz ± 2.5 mm 44 ... 500 Hz ± 23 g									
Material	V4A-Steel 1.4571									

FSO = Full Scale Output ¹⁾ Half sinusoid 6 ms

Model S

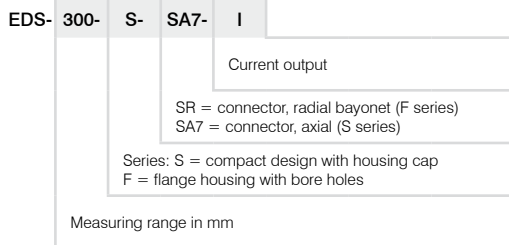


Model F



6 mounting holes ø9mm on pitch circle ø63mm

Article designation



Measuring ranges	Sensor rod		Aluminum tube		Offset
	L	D	l	d	
75	110	10	110	16	15
100	140	10	140	16	20
160	200	10	200	16	20
200	240	10	240	16	20
250	290	10	290	16	20
300	340	10	340	16	20
400	450	12	450 (S) 460 (F)	18 (S) 26 (F)	25
500	550	12	550	18	25
630	680	12	680 (S) 690 (F)	18 (S) 26 (F)	25

General accessories

2960031	MC25D	Digital micrometer calibration fixture
2420062	PS2020	Power supply on DIN rail, input 100 - 240 VAC, output 24 VDC / 2.5 A
2984026		Function and linearity inspection certificate incl. protocol with listed measurement data of the linearity inspection and documentation
2213034		IF7001 single-channel USB/RS485 converter

Accessories for LDR series**Connection cables**

0157047	C7210-5/3	Sensor cable, 5 m, with cable connector
0157048	C7210/90-5/3	Sensor cable, 5 m, with 90° cable connector

Supply cable

2901087	PC710-6/4	Supply/output cable, 6 m
---------	-----------	--------------------------

Spare plungers

0800136	LDR-10	Spare plunger
0800137	LDR-25	Spare plunger
0800138	LDR-50	Spare plunger

Service

Connector installation and adjustment

Accessories for EDS series**Service**

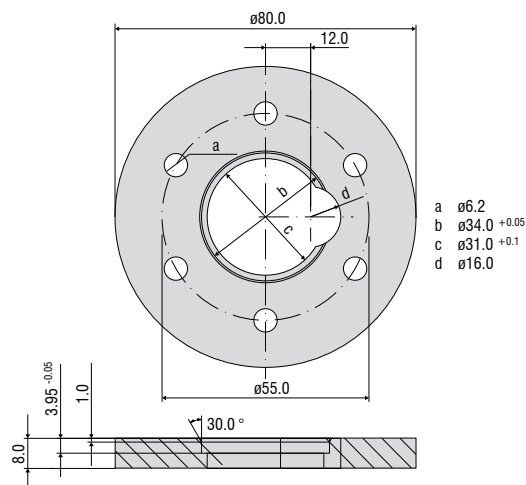
2985001		Function and linearity inspection for EDS series incl. pressure inspection and documentation without recalibration
---------	--	-----------------------------------------------------------------------------------------------------------------------

Connection cables

0157043	C703-5	VIP/LVP/EDS 7-pin connection cable for S series, 5 m
2902084	C703-5/U	VIP/LVP/EDS 7-pin connection cable for S series, 5 m for voltage output 1 - 5 V
0157050	C703/90-5	VIP/LVP/EDS 7-pin connection cable for S series, 5 m with 90° cable connector
2901143	C705-5	VIP-/LVP-/EDS 5-pin connection cable for F series, 5 m
2901160	C705-15	VIP-/LVP-/EDS 5-pin connection cable for F series, 15 m

Installation ring

0483326		EDS mounting ring
---------	--	-------------------



Linearity inspection certificate

High performance sensors made by Micro-Epsilon



Sensors and systems for displacement and position



Sensors and measurement devices for non-contact temperature measurement



2D/3D profile sensors (laser scanner)



Optical micrometers, fiber optic sensors and fiber optics



Color recognition sensors, LED analyzers and color online spectrometer



Measurement and inspection systems